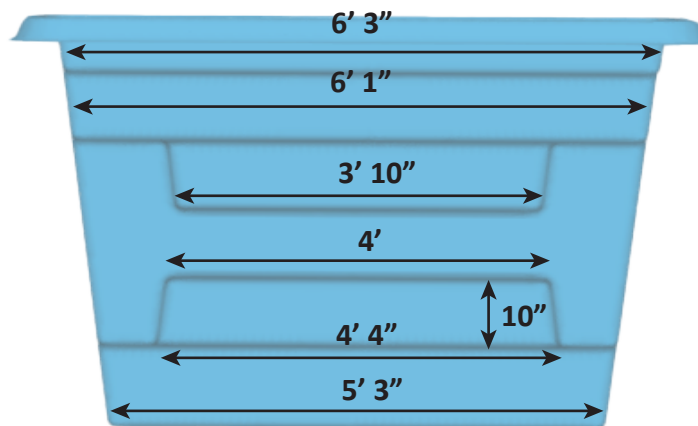
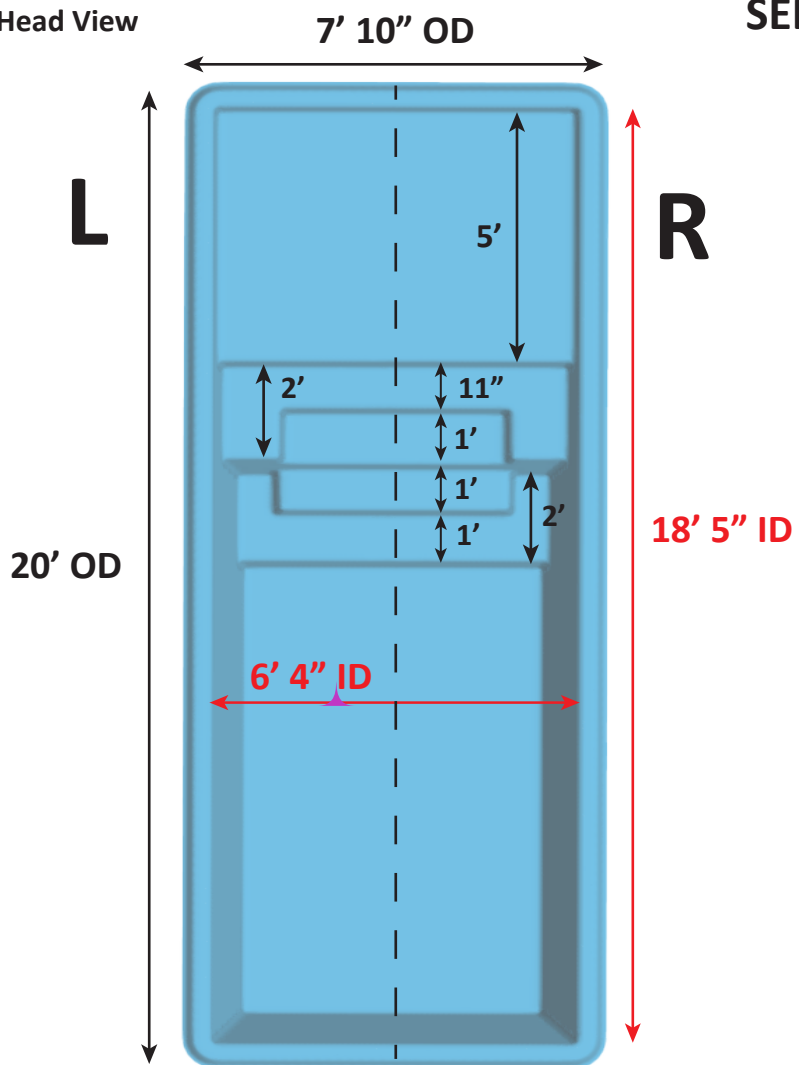
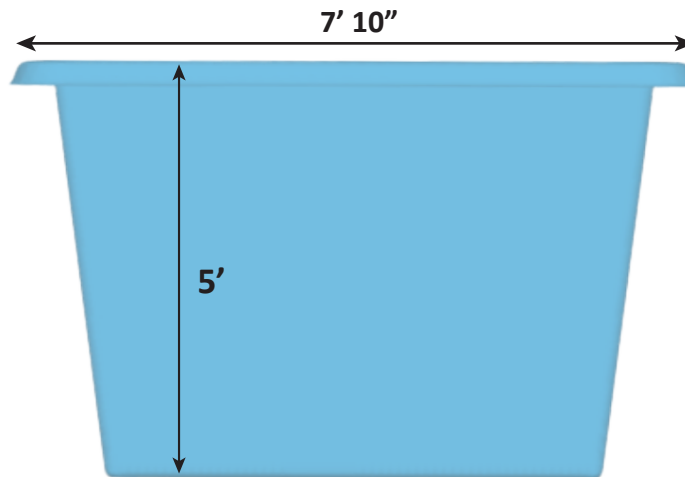


SEDONA BEACH DETAIL SHEET - 09-04-24 - REVISION 01

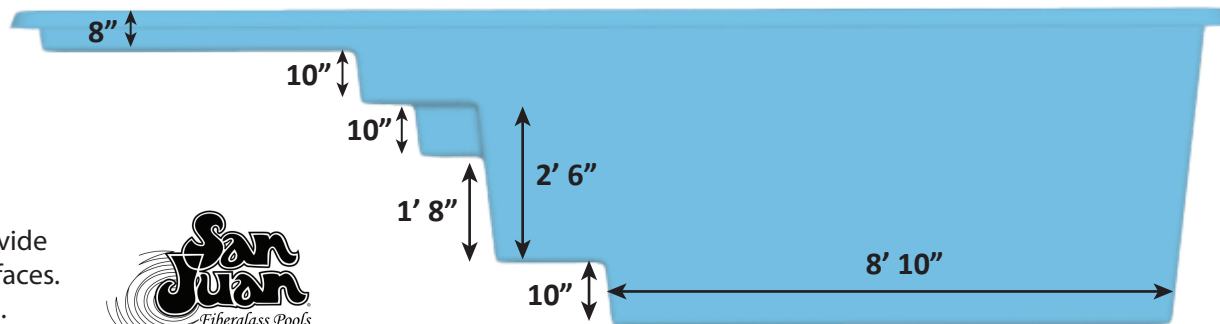
Over Head View



Step End View



Swim End View



Side View

Surface Area: 133 Sq. ft.
 Perimeter: 52.1 Lin. ft.
 Volume: 2,607 Gal.
 Per sect. 8.1, surfaces that provide
 footing have slip resistant surfaces.
 All measurements are averages.



USA Specifications

